

VOLANTEX RC

RANGER



PROFESSIONAL FPV PLATFORM

**SEE YOUR WORLD
FROM A NEW PERSPECTIVE**

Specifications

Wingspan:	78.8 in (2000mm)
Length:	46.5 in (1180mm)
Motor:	3715 / 1000KV out runner Brushless motor
Servo:	9g servo * 4pcs & Metal Gear 9g Servo *2pcs
Battery:	11.1V 2200mAh 25C Li-Po or above

CAUTIONS

The following terms are used throughout the product literature to indicate various levels of potential harm when operating this product:

NOTICE: Procedures, which if not be properly followed, will create a possibility of physical property damage AND little or no possibility of injury.

WARNING: Read the **ENTIRE** instruction manual to become familiar with the features of the product before operating. Failure to operate the product correctly can result in damage to the product, personal property and cause serious injury.

This is a sophisticated hobby product. It must be operated with caution and common sense and requires some basic mechanical ability. Failure to operate this Product in a safe and responsible manner could result in injury or damage to the product or other property. This product is not intended for use by children without direct adult supervision. Do not use with incompatible components or alter this product in any way outside of the instructions provided by VolantexRC Co., Ltd.. This manual contains instructions for safety, operation and maintenance. It is essential to read and follow all the instructions and warnings in the manual, prior to assembly, setup or use, in order to operate correctly and avoid damage or serious injury.

AGE RECOMMENDATION: NOT FOR CHILDREN UNDER 14 YEARS. THIS IS NOT A TOY.

Safety Precautions and Warnings

As the user of this product, you are solely responsible for operating in a manner that does not endanger yourself and others or result in damage to the product or the property of others.

- Always keep a safe distance in all directions around your model to avoid collisions or injury. This model is controlled by a radio signal subject to interference from many sources outside your control. Interference can cause momentary loss of control
- Always operate your model in open spaces away from full-size vehicles, traffic and people.
- Always carefully follow the directions and warnings for this and any optional support equipment (chargers, rechargeable battery packs, etc.).
- Always keep all chemicals, small parts and anything electrical out of the reach of children.

- Always avoid water exposure to all equipment not specifically designed and protected for this purpose. Moisture causes damage to electronics.
- Never place any portion of the model in your mouth as it could cause serious injury or even death.
- Never operate your model with low transmitter batteries.
- Always keep aircraft in sight and under control.
- Always use fully charged batteries.
- Always keep transmitter powered on while aircraft is powered.
- Always remove batteries before disassembly.
- Always keep moving parts clean.
- Always keep parts dry.
- Always let parts cool after use before touching.
- Always remove batteries after use.
- Always ensure failsafe is properly set before flying.
- Never operate aircraft with damaged wiring.

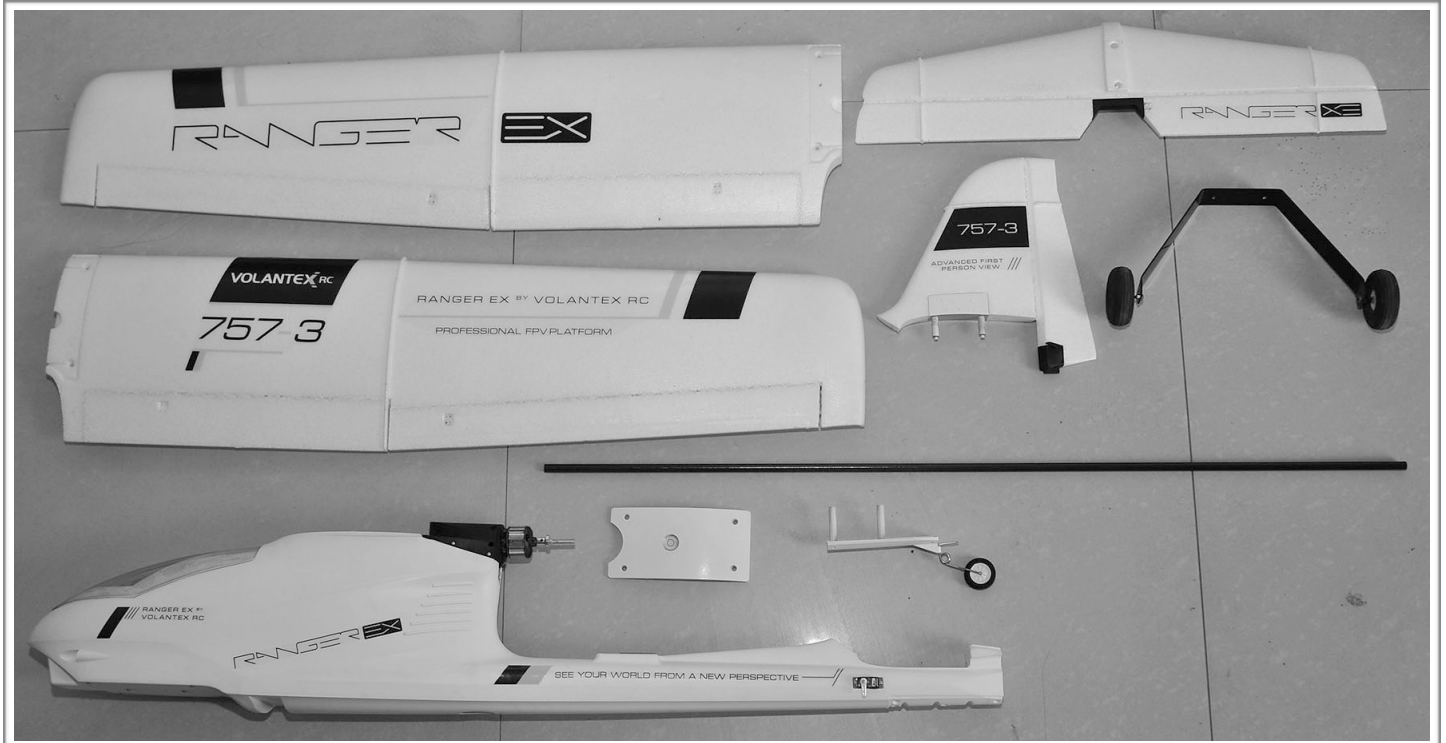
Charging Warnings

The Battery Charger included with your aircraft is designed to safely balance and charge the Li-Po battery.

CAUTION: All instructions and warnings must be followed exactly. Mishandling of Li-Po batteries can result in a fire, personal injury, and/or property damage.

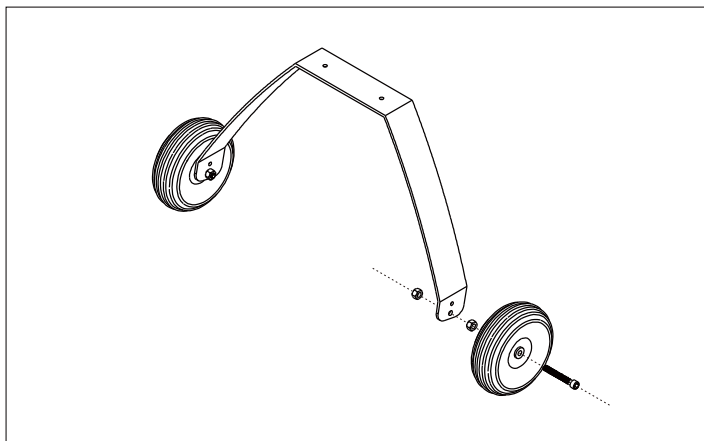
- By handling, charging or using the included Li-Po battery, you assume all risks associated with lithium batteries.
- If at any time the battery begins to balloon or swell, discontinue use immediately. If charging or discharging, discontinue and disconnect. Continuing to use, charge or discharge a battery that is ballooning or swelling can result in fire.
- Always store the battery at room temperature in a dry area for best results.
- Always transport or temporarily store the battery in a temperature range of 40–120o F (5–49o C). Do not store battery or aircraft in a car or direct sunlight. If stored in a hot car, the battery can be damaged or even catch fire.
- Always charge batteries away from flammable materials.
- Always inspect the battery before charging and never charge damaged batteries.
- Always disconnect the battery after charging, and let the charger cool between charges.
- Always constantly monitor the temperature of the battery pack while charging.
- **ONLY USE A CHARGER SPECIFICALLY DESIGNED TO CHARGE LI-PO BATTERIES.** Failure to charge the battery with a compatible charger may cause fire resulting in personal injury and/or property damage
- Never discharge Li-Po cells to below 3V under load.
- Never cover warning labels with hook and loop strips.
- Never leave charging batteries unattended.
- Never charge batteries outside recommended levels.
- Never attempt to dismantle or alter the charger.
- Never allow minors to charge battery packs.
- Never charge batteries in extremely hot or cold places (recommended between 40–120° F or 5–49° C) or place in direct sunlight.

Box Contents

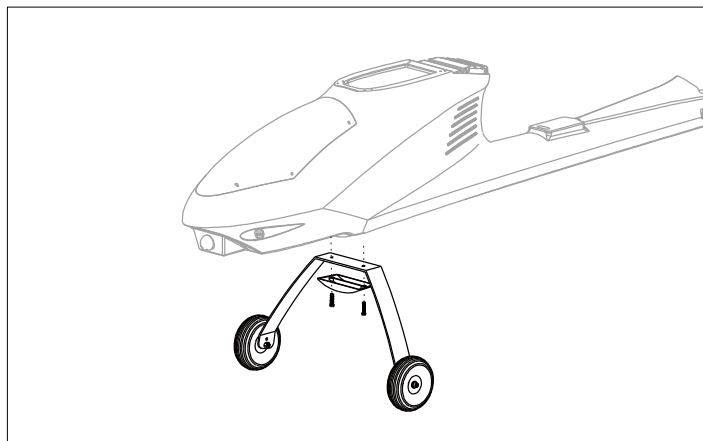


We, as the kit manufacturer, provide you with a top quality, thoroughly tested kit and instructions, but ultimately the quality and flyability of your finished model depends on how you build it; therefore, we cannot in any way guarantee the performance of your completed model, and no representations are expressed or implied as to the performance or safety of your completed model.

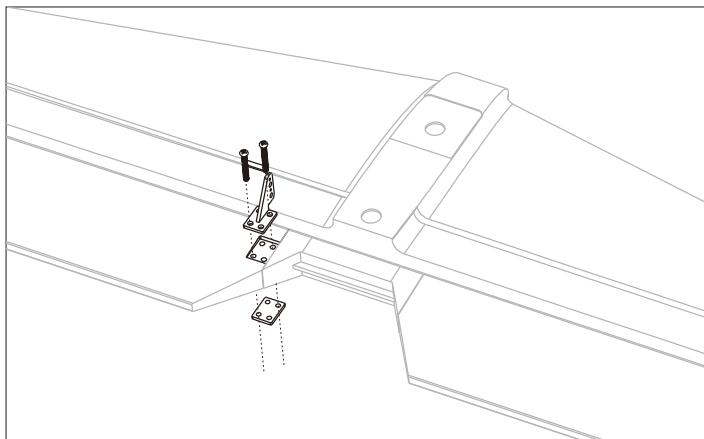
Installation Guide



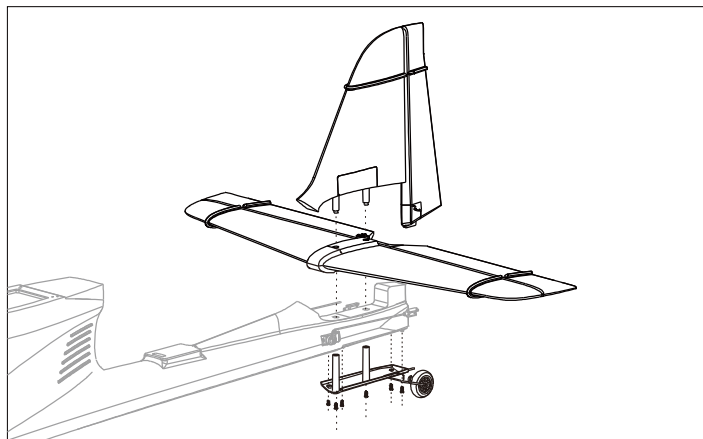
1. Install the wheel by a screw (PM4*30*2) with nuts as shown in the image below.



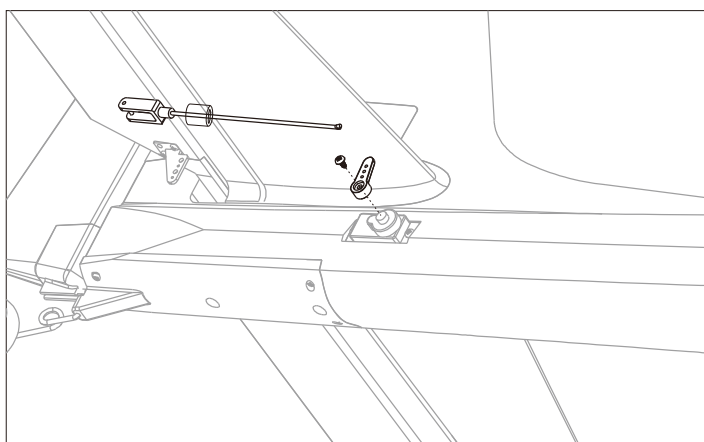
2. Install the landing gear to the corresponding gap under the fuselage, and fix it by two screws (PM3*15*2).



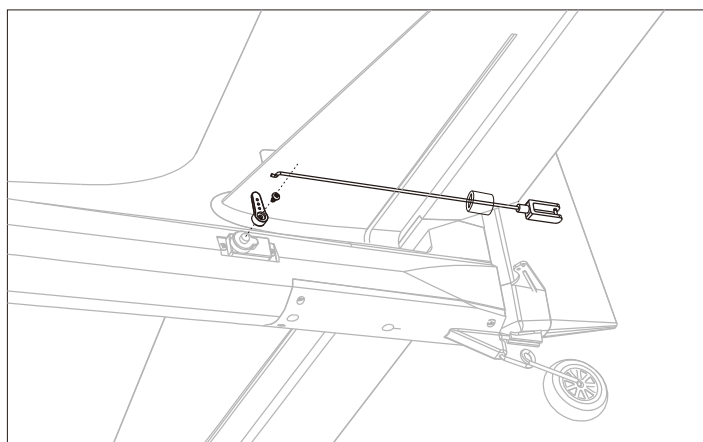
3. Install the servo horn by screws (PB2*15*2).



4. Install the Rudder and Elevator as shown in the image, and fix it by screws (PA2.5*8*6).

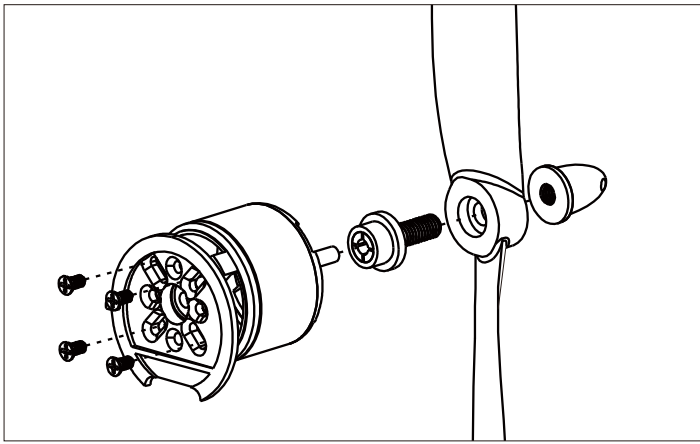


5. Insert a short tube into the push rod then connect it to the servo arm.

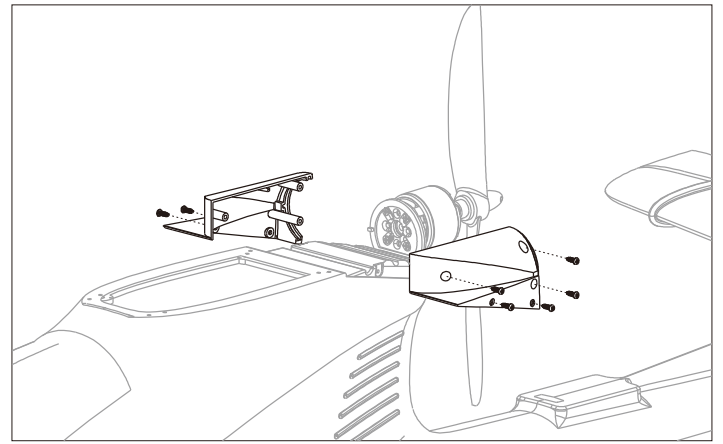


6. Install the servo arm to the servo and fix it by screw (PA2*5).

7. Connect the push rod to the servo horn and make sure the surface flat.

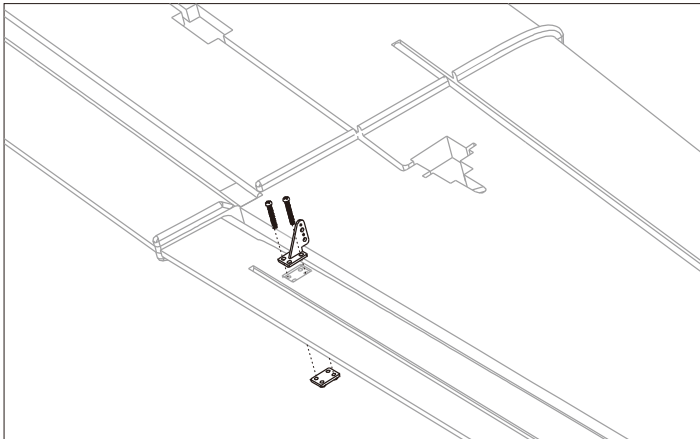


8. Install the propeller adaptor as shown in the image, and make sure the concave surface facing to backward.



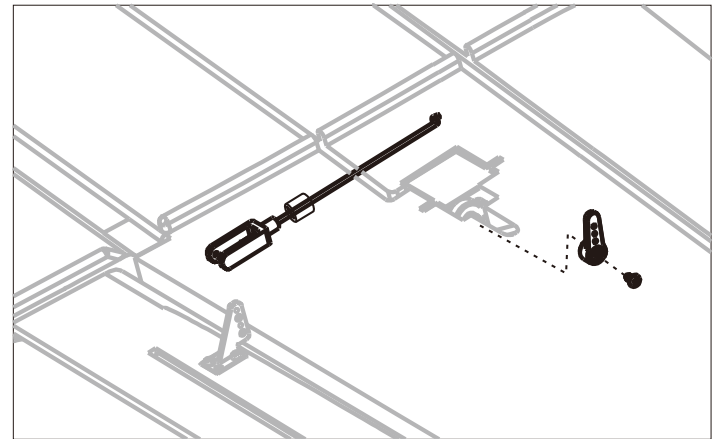
9. Fix the motor to the nylon plate by 4pcs screws (KM3*6*4).

10. Fix the nylon plate into the corresponding gap of the motor tower and fix both side together by screws (PA2.5*8*5).



11. Install the servo horn as shown in the image and fix it by screw (PA2*15*2).

12. Insert a short tube into the push rod then connect it to the servo arm.

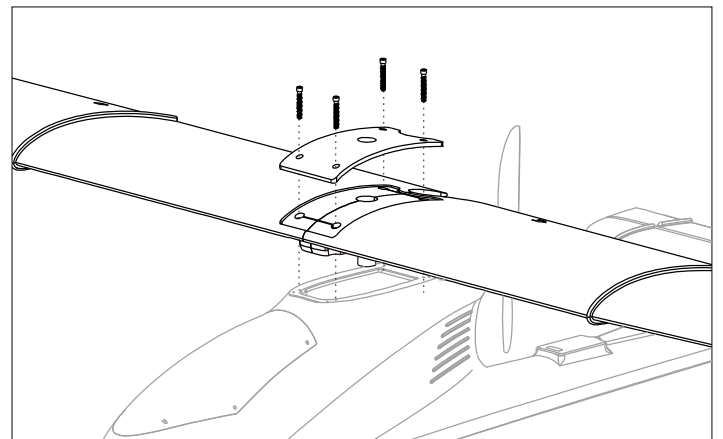


13. Install the servo arm to the servo and fix it by screw (PA2*5).

14. Connect the push rod to the servo horn and make sure the surface flat.

15. Join two side of main wing together via a carbon fiber tube.

16. Connect the main wing to the fuselage and fix it by 4pcs screws (PM4*25*4).



Centering the Control Surfaces

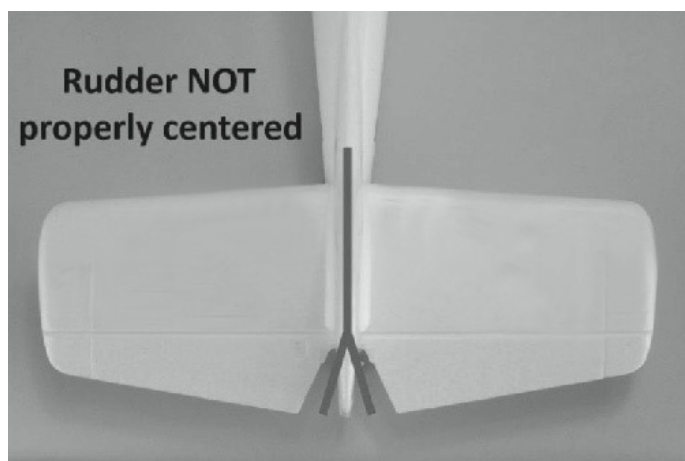
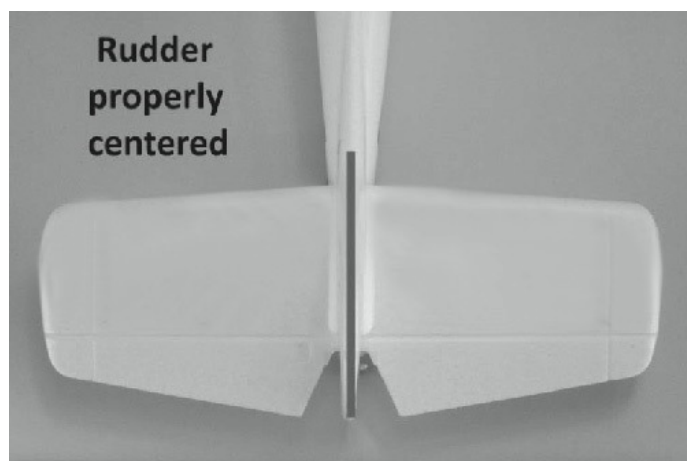
With the transmitter turned on and the LiPo flight battery connected to the ESC (and installed in the battery compartment) it's now possible to connect the pushrods to the rudder and elevator control surfaces and to 'center' the surfaces accordingly.

First, be sure to center the elevator and rudder (aileron) trim levers. See the 'Transmitter Details' and 'Flight Controls and Trimming' sections of this manual for more information on the trim levers and their functions.

With the trim levers centered, carefully spread open each 'clevis' (the white color plastic part installed on the threaded end of the metal pushrod) so you can insert the pin in the OUTERMOST hole on each control horn. It may be helpful to insert a flat blade screwdriver (not included) into the clevis then carefully 'twist' it until it disengages the pin from the hole in the clevis. Also, it is not necessary to 'snap' the clevis back together until the centering adjustments are complete.



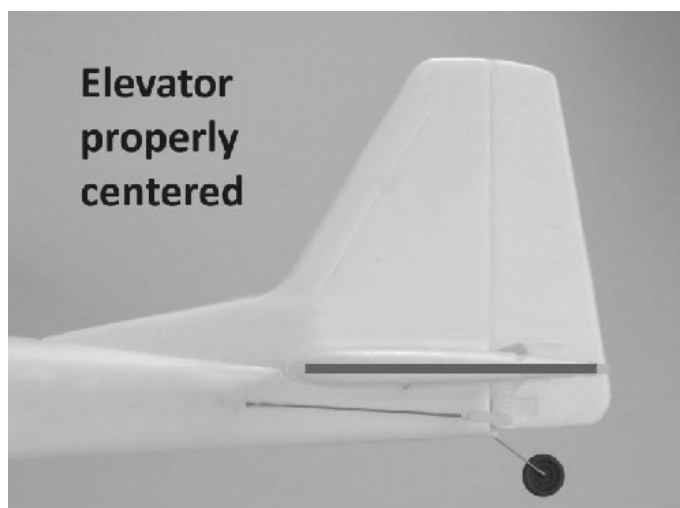
After connecting the clevises to the control horns view the vertical tail and rudder from directly above. The rudder should be 'in line' with the vertical tail when it's properly 'centered'. However, if the rudder is angled off to the right or left you can adjust the length/position of the pushrod/clevis so the surface is centered 'mechanically' while the trim lever on the transmitter is centered.



If the rudder is angled off to the left carefully remove the clevis from the control horn and screw it 'in' (clockwise) one half to one full turn then insert the pin back into the outermost hole in the control horn. Or, if the rudder is angled off to the right carefully remove the clevis from the control horn and screw it 'out' (counter-clockwise) one half to one full turn then insert the pin back into the outermost hole in the control horn. View the vertical tail and rudder from directly above again and continue adjusting the length/position of the pushrod/clevis until the rudder is centered appropriately.

NOTE: You should always rotate the clevis until the pin is perpendicular with the control horn to ensure the pin is not under any excessive load/pressure when inserted in the hole and during operation. In some cases it may not be possible to 'exactly' center the surface mechanically while properly aligning the pin. In these cases be sure the pin is properly aligned then adjust the position of the trim lever slightly as needed. Also, it will likely be necessary to make further adjustments to the position of the trim lever during flight as most surfaces do not end up in exactly the centered position when an airplane is trimmed properly for actual flight (but 'centered' is still the best starting point).

Follow the same steps outlined for centering the rudder to center the elevator as well.

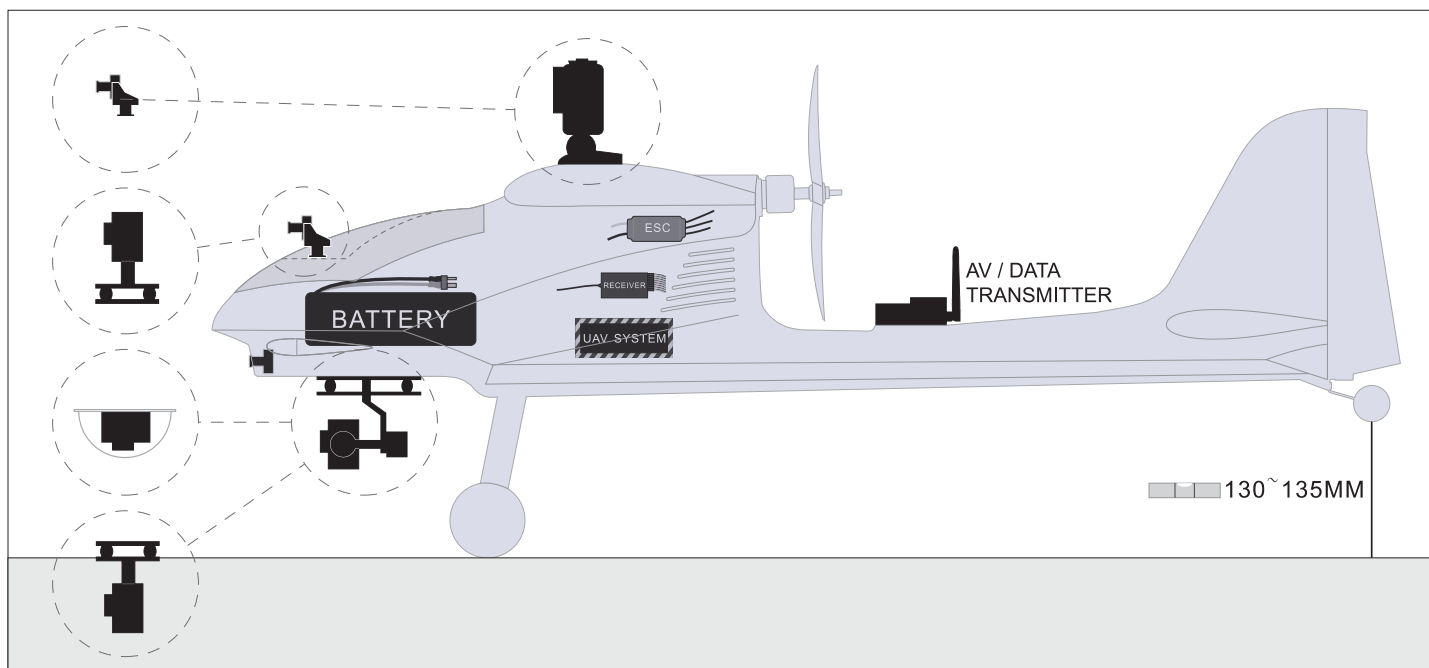


Also, we strongly recommend installing the included 'clevis keepers' to provide added security for the clevises. Typically you can carefully slide the keepers over the clevises when they are not connected to the control horn. Then, after connecting the clevis to the control horn and 'snapping' the clevis together you can slide the keepers into a position that does not allow them to 'bind' against the control horn during movement of the surface.

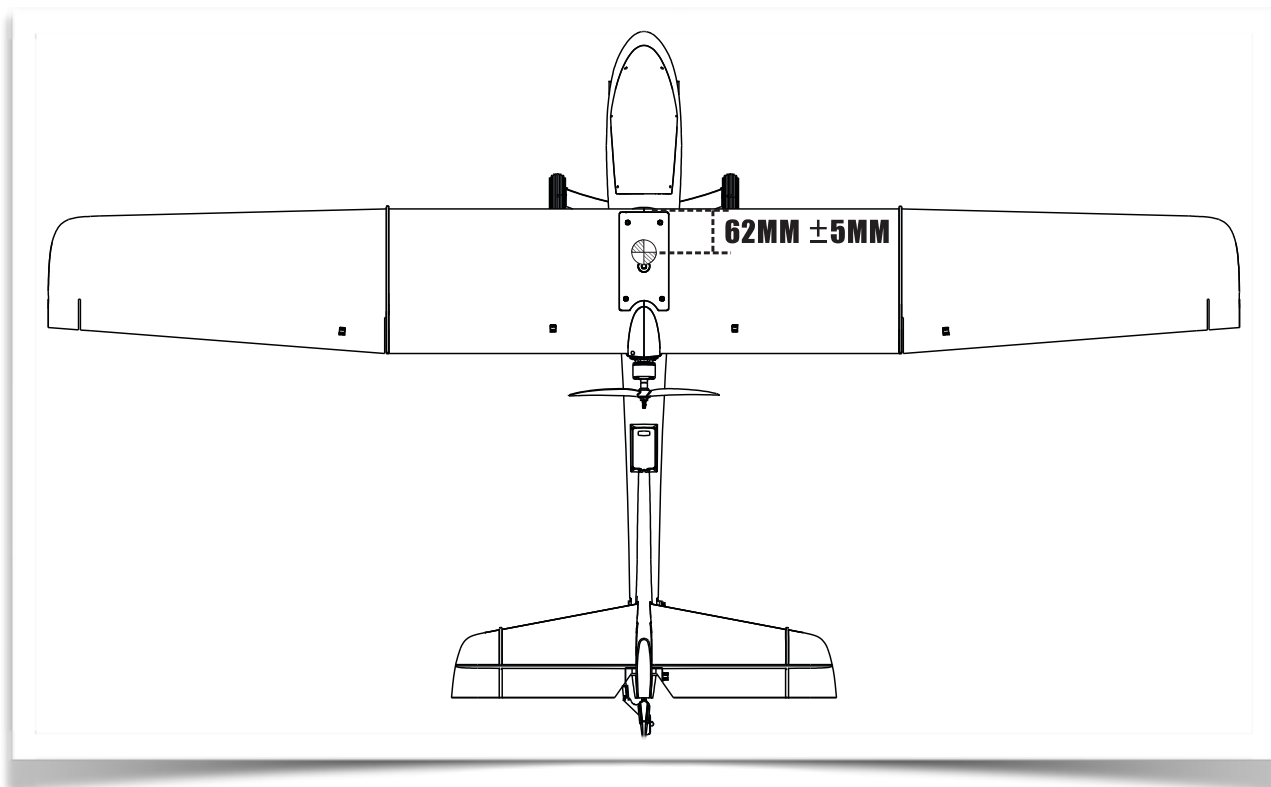


FPV System Deployment

Ranger EX is professional FPV / UAV platform which designed for long range FPV, so except the capability of carrying big size batteries, it also have a lot of potential for all kind of camera installation. Here we are showing normally camera and UAV equipment deployment, please have a check the image below.



Center of Gravity



The ideal C.G. position is **62±5mm** behind the leading edge measured at where the wing meets the fuselage. The C.G. has a GREAT effect on the way of the model flight. If the C.G. is too far aft (tail heavy), the model will be too responsive and difficult to control. If the C.G. is too far forward (nose-heavy), the model will be too stable and not responsive enough. In order to obtain the C.G. specified, add weight to the fuselage or move the battery position. Check the C.G. before flying.

Battery Warnings

IMPORTANT NOTE: Lithium Polymer (LiPo) batteries are significantly more volatile than the alkaline, NiCd and NiMH batteries also used in RC applications. All instructions and warnings must be followed exactly to prevent property damage and/ or personal injury as mishandling of LiPo batteries can result in fire.

By handling, charging or using the included LiPo battery you assume all risks associated with LiPo batteries. If you do not agree with these conditions, please return your complete product in new, unused condition to the place of purchase immediately.

You must read the following safety instructions and warnings before handling, charging or using the LiPo battery.

- You must charge the LiPo battery in a safe area away from flammable materials.
- Never charge the LiPo battery unattended at any time. When charging the battery you should always remain in constant observation to monitor the charging process and react immediately to any potential problems that may occur.
- After flying / discharging the battery you must allow it to cool to ambient / room temperature before recharging. Also, it is NOT necessary or recommended to discharge the battery 'completely' before charging (LiPo batteries have no 'memory' and it's safe to charge partially discharged batteries when using an appropriate charger and settings).
- To charge the battery you must use only the stock included Charger or a suitably compatible LiPo battery charger. Failure to do so may result in a fire causing property damage and/ or personal injury. DO NOT use a NiCd or NiMH charger to charge Li-Po battery.
- If at any time during the charge or discharge process the battery begins to balloon or swell, discontinue charging or discharging immediately. Quickly and safely disconnect the battery then place it in a safe, open area away from flammable materials to observe it for at least 15 minutes. Continuing to charge or discharge a battery that has begun to balloon or swell can result in a fire. A battery that has ballooned or swollen even a small amount must be removed from service completely.
- Store the battery partially charged (approximately 50% charged/3.85V per cell), at room temperature (approximately 68–77° Fahrenheit [F]) and in a dry area for best results.
- When transporting or temporarily storing the battery, the temperature range should be from approximately 40–100°F. Do not store the battery or model in a hot storage car or direct sunlight whenever possible. If stored in a hot garage or car the battery can be damaged or even catch fire.
- Do not over-discharge the LiPo flight battery. Discharging the LiPo flight battery to a voltage that is too low can cause damage to the battery resulting in reduced power, flight duration or failure of the battery entirely.
- LiPo cells should not be discharged to below 3.0V each under load. In the case of the 2-Cell/ 2S 7.4V LiPo battery used to power the plane you will not want to allow the battery to fall below 6.0V during flight.

The included ESC features a 'soft' low voltage cutoff (LVC) that smoothly reduces power to the motor (regardless of the power level you have set with the throttle stick) to let you know the voltage of the battery is close to the 6.0V minimum.

However, even before this reduction in power, if you find that more than the typical amount of throttle/ power is required to cruise or climb you should land the model and disconnect the battery immediately to prevent over-discharge.

And while it is possible to continue flying the model after the soft LVC occurs, this is NOT recommended. Continued discharging can result in reaching the 5.0V 'hard' LVC which may cause permanent damage to the LiPo battery resulting in reduced power and flight duration during subsequent flights (or failure of the battery entirely which is not covered under warranty).

Also, it is not recommended that you fly to the soft LVC every time you fly. Instead you should be aware of the power level of the battery / airplane throughout the flight, and if at any time the airplane begins to require more throttle/ power than typical to maintain cruise or climb you should land the airplane and disconnect the LiPo battery immediately . Constantly discharging the battery to the soft LVC can still cause permanent damage to the battery so it's best to use a timer or stop -watch to time the duration of your flights and to stop flying at a reasonable time before the soft LVC is reached.

IMPORTANT NOTE: DO NOT LEAVE THE LIPO BATTERY CONNECTED TO THE ESC UNLESS YOU ARE READY TO FLY. IF THE BATTERY IS LEFT CON- NECTED TO THE ESC WHEN IT IS NOT IN USE THE LIPO BATTERY WILL BE OVER-DISCHARGED BY THE SMALL AMOUNT OF CURRENT THE ESC CONSUMES.

It can sometimes take a few hours or even up to a few days to over- discharge the battery this way but doing so will likely cause permanent damage to or failure of the battery entirely (which is not covered under warranty).

IMPORTANT NOTE: DO NOT STORE THE LIPO FLIGHT BATTERY FULLY CHARGED. For improved safety and longevity of the LiPo battery it's best to store it only partially charged for any length of time. Storing the LiPo battery at approximately 50% charged (which is approximately 3.85V per cell) is typically best, however it will take some careful management of the charge time and the use of a voltmeter to achieve this voltage.

If you have the equipment and skills to achieve the 50% charge level for storage it is recommended. If not, simply be sure to not store the battery fully charged whenever possible. In fact ,as long as the battery will be stored at approximately room temperature and for no more than a few weeks before the next use, it may be best to store the battery in the discharged state after the last flight (as long as the battery was not over-discharged on the last flight).

Flight Checklist

PLEASE NOTE: This checklist is NOT intended to replace the content included in this instruction manual. Although it can be used as a quick start guide, we strongly suggest reading through this manual completely before proceeding.

- Always turn the transmitter on first
- Ensure the throttle control stick is on the button position then plug the battery.
- Fly the model (hand-launch or takeoff from a flat/level surface)
- Land the model (land on a flat/level surface)
- Unplug the LiPo flight battery from the ESC
- Always turn the transmitter off last

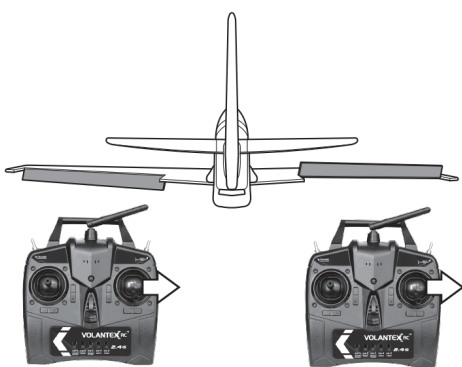
Check The Control Surface And Channel Condition

Mode 1 and Mode 2: Depending on which area you are in, you will either use a Mode1 or Mode 2 transmitter. The difference between the two modes deals with the throttle and Elevator joystick different. Mode 2 transmitters have the throttle control on the left stick and the Elevator controls on the right stick. Mode 1 is in the opposite way.

Before trying to fly the airplane, please carefully check to make sure the transmitter and the servos work normally. **CAUTION: Make sure that you must turn on the transmitter firstly and then you can connect the battery plug. If you want to turn off the transmitter you must ensure that the battery of the plane must be cut off first.**

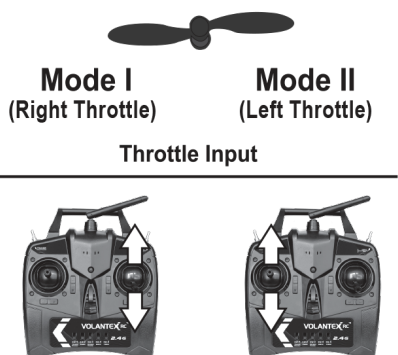
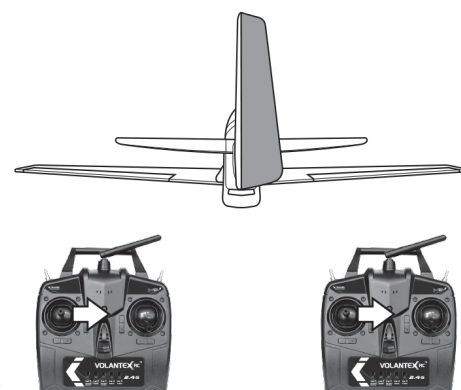
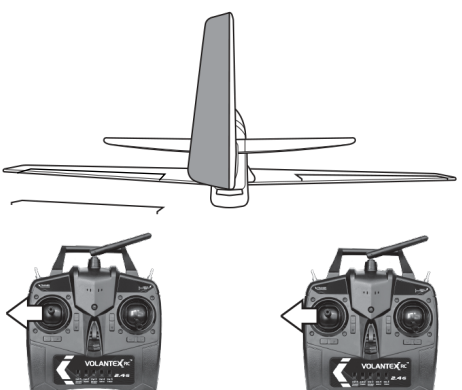
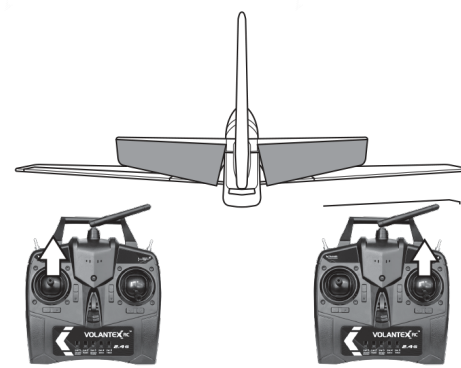
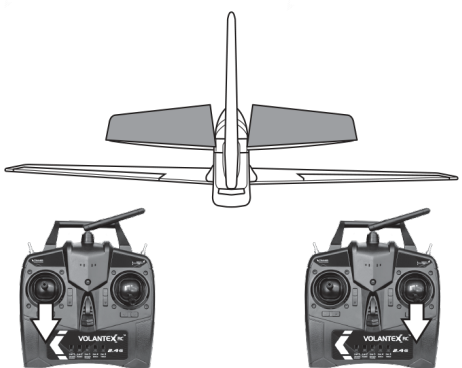
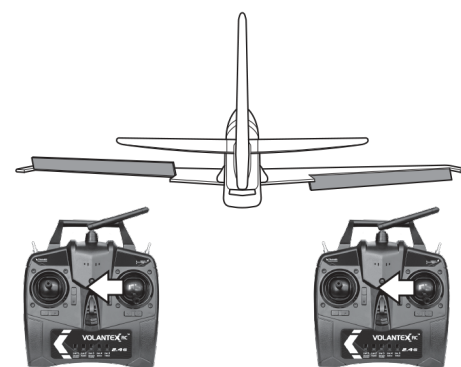
Mode I
(Right Throttle)

Mode II
(Left Throttle)



Mode I
(Right Throttle)

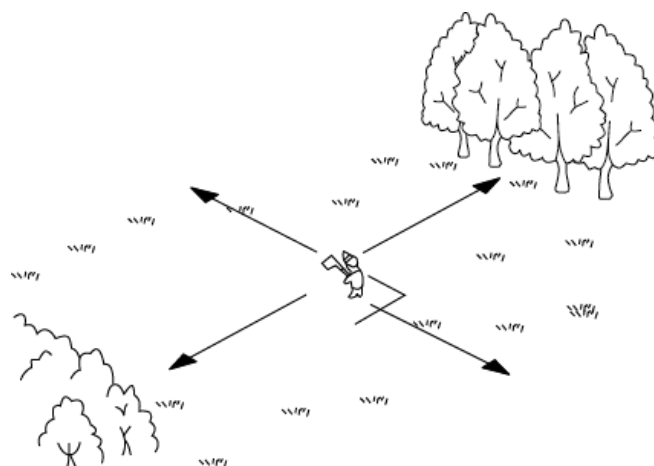
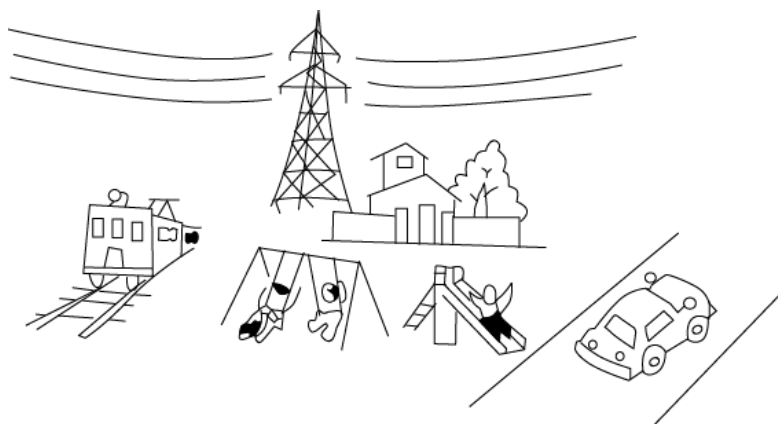
Mode II
(Left Throttle)



Find A Flight Field

Based on the size and weight of the plane it's typically considered to be a 'park flyer' class model. As a result it's best to fly the plane at a local park, schoolyard, flying field or other area that's large enough and free of people and obstructions. We recommend an area the size of at least one football/ soccer field, however, even larger areas are better suited and preferred especially when learning how to fly. **DO NOT fly in parking lots, crowded neighborhood areas or in areas that are not free of people and obstructions.**

We also suggest flying over grass as it's a much more forgiving surface that causes less damage in the unfortunate event of a crash. Short grass is better for takeoffs and landings as grass that is too long can cause the airplane to nose-over /flip and be damaged. An ideal flying area allows for takeoffs and landings on a smoother surface (such as asphalt) and flying over grass.



Fly in spacious ground without obstacles and boskage.

Never fly the plane near Highway, railway, high tension line, crowd people, Flying Area, and residential area.

PLEASE NOTE: THE PLANE IS DESIGNED TO BE FLOWN OUTDOORS ONLY.

Flying Conditions

It's typically best to fly on days that are calm with no wind, especially when learning how to fly. We strongly suggest flying only in calm conditions until you're familiar with the controls and handling of the model. Even light winds can make it much more difficult to learn to fly, and in some cases can even carry the model beyond your line of sight.

Also, if you are a first-time or low - time pilot we highly recommend allowing a more experienced pilot to test fly and properly trim the model before attempting your first flight. A proven flyable and properly trimmed model is significantly easier and more enjoyable to fly! Please contact your local hobby shop and/or flying club to find a more experienced pilot near you.

After you've properly trimmed the airplane in calm conditions and become familiar with its handling / capabilities you'll be able to fly in light winds, or depending on your experience and comfort level, in winds up to 5–7 mph.

DO NOT fly on days when significant moisture, such as rain or snow, is present.

Perform A Range Check

As a precaution, an operational ground range test should be performed before the first flight each time out. performing a range test is a good way to detect problems that could cause loss of control such as low batteries defective or damaged radio components or radio interference. This usually requires an assistant and should be done at actual flying site you will be using.

First turn on the transmitter. Then, install the fully charged battery into the fuselage and hold it in place with the hook-and-loop strap. Connect the battery and install the hatch.

Remember, use care not to “bump” the throttle stick. Otherwise, the propeller will turn, possibly causing damage or injury.

With the antenna on the transmitter collapsed (not extended), begin walking away from the model operating the controls in a predictable pattern (for example: Up, then down elevator. Right, then left aileron. Right, then left rudder). While moving the control surfaces, also vary motor rpm.

Have your assistant alert you if the controls fail to respond or if they move suddenly or erratically. You should be able to maintain control up to a distance of approximately 100' [30m].

If the controls respond erratically or if anything else seems wrong, make certain all the servo wires are securely connected to the receiver and that the transmitter and receiver batteries are fully charged. If you cannot find a mechanical problem with the model , it is slightly possible that there is radio interference somewhere in the area. One option would be to try another range check at an alternate flying site.

After the range check, fully extend the antenna.

Monitor and limit your flight time using a timer such as the one on your wrist watch. When the batteries are getting low you will usually notice a performance drop before the ESC cuts off motor power, so when you notice the plane flying slower you should land. Often (but not always!), power can be briefly restored after the motor cuts off by holding the throttle stick all the way down for a few seconds.

To avoid an unexpected dead-stick landing on your first flight set your timer to a conservative 4 minutes. When the alarm sounds you should land your model.

When you learn how much flight time you are getting you can adjust your timer accordingly. Always be conservative so the motor won't quit unexpectedly and you will have enough battery to land under power.

Tack Off

Until you have become comfortable with flying your plane, do not fly if the wind speed is greater than 10 mph [16 kilometers /hr].

One final check before takeoff : **always double - check the flight control response to your inputs from the transmitter before every flight.** Be certain the ailerons , elevator and rudder respond correctly and that none of the controls have inadvertently become reversed.

Don' t forget to fully extend the transmitter antenna.

If the surface is smooth (such as paverment or blacktop) the plane can take off from the ground. But most grass is probably too tall, so if flying from grass the model will have to be hand launched.

ROG (Rise Off Ground) Tack Off

If taking off from the ground, place the model on your “ runway ” with the nose pointing into the wind--this will

reduce the ground speed that must be reached and automatically provide “ heading assist ” making steering and takeoff easier. Slowly advance the throttle, adding rudder correction as needed to keep the model rolling straight. When the plane become “ light ”continue to apply throttle until you are at full power all this will happen in a few seconds. When sufficient liftoff speed has been reached, gradually apply “up ”elevator allowing the model to leave the ground. Do not “ yank ” up on the stick rather, be smooth and allow the plane to establish a gentle climb.

Once you have reached a safe flying speed at a comfortable altitude (approximately 50' [15m]), work the controls as necessary to establish a gentle turn away from the runway.

Hand-Launch

Until you have become efficient at flying your plane, always use an assistant to hand-launch your model.

Have your assistant hold the model by the bottom of the fuselage. When both of you have signaled “ready ”, advance the throttle to full power. Your assistant should run a few steps with the plane held high above his head, and then give the model a swift, but controlled toss at a level, or slightly nose - up attitude. Initially, the model will gently ascend, but within a few seconds it will reach enough speed to climb. Gently add “ up ” elevator to establish the climb.

Once you have reached a safe flying speed at a comfortable altitude (approximately 50' [15m]), work the controls as necessary to establish a gentle turn away from the runway.

Flying

One thing to remember is that, when the plane is flying away from you, moving the aileron stick to the right will make the plane bank to your right.

However, when the model is flying toward you, moving the aileron stick to the right will make the plane move to your left. Of course, the plane is still responding the same way, it's just that your orientation has reversed. This must be kept in mind while learning to fly (and is also a good reason to take flight lessons from an experienced pilot!).

To establish a turn, “ up” elevator(pulling back on the stick) is usually required along with aileron input to get the model into a bank. To stop the turn, apply a small amount of opposite aileron.

Once you get the plane into the air and have climbed to a comfortable altitude, the first “order of business” will be to “trim” the model for straight - and - level flight. The model flies best at approximately 3/4-throttle. Adjust the trims on the transmitter to make minor control surface adjustments as necessary until the plane will fly straight without any control inputs. Often, your assistant can reach over and adjust the trims for you.

Remember to keep the model high enough to give yourself time to make corrections, but don't let it get too far away. Otherwise, it will be difficult to detect its attitude and which way it is going.

One final check before landing: see how the model will react when it's time to land and you cut the power. To do this, while still at altitude, cut the motor power. The model should establish a gentle, downward glide path.

This is how the model will react when it's actually time to land. Add power and climb back up to your original altitude. Try again, this time adding flaps.

To climb, add throttle and immediately take the flaps back out. Practice a few of these “ climb and glides ” to judge how far out you will need to be when its time to land.

Landing

To land, fly down - wind past the landing area. Gently turn into the wind, add flaps and reduce the throttle so that the airplane initiates an ascending glide path. If necessary, add power to extend the glide path to reach the runway. As the model approaches and loses altitude, gradually and proportionally add “ up ” elevator to control the glide path and altitude.

Continue to apply elevator until the model touches down at which time you should be holding full, or nearly full up elevator. This will cause the airplane to slow and settle to the ground.

Later, once you have become more experienced with your plane, you can cruise around and perform slow “ fly-bys ” with the flaps extended.

CAUTION: If, during a rough landing, the propeller becomes jammed and cannot rotate, the battery and speed control will become very hot if you attempt to add power .

Immediately move the throttle down to stop the motor. If you fail to do this, the motor, speed control and /or battery will be damaged.

After flight

Disconnect the battery and remove it from the airplane. Then, turn off the transmitter. Allow the battery to cool before recharging, or allow the motor to cool before installing another battery for the next flight. Inspect the airplane to make sure nothing has become loose or damaged.

VOLANTEX  **RC**

© 2014 VolantexRC Co., Ltd.